

SPECIFICATION

Range: **COCKER**
Design: **Caimi Lab**

Wall-mounted phone booth.

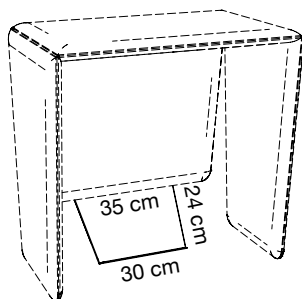
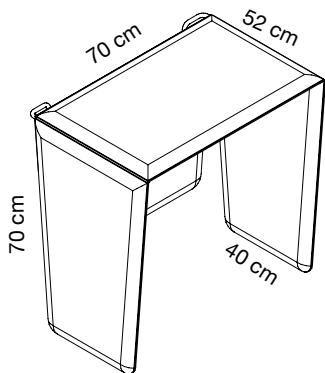
Description:

Phone booth with powder-coated steel structure (made of \varnothing 11 mm steel rod), equipped with wall fixings (screws not included); internal polyester padding and external covering in Snowsound Fiber 3 Melange polyester fabric, completely removable thanks to a powder-coated metal zipper.

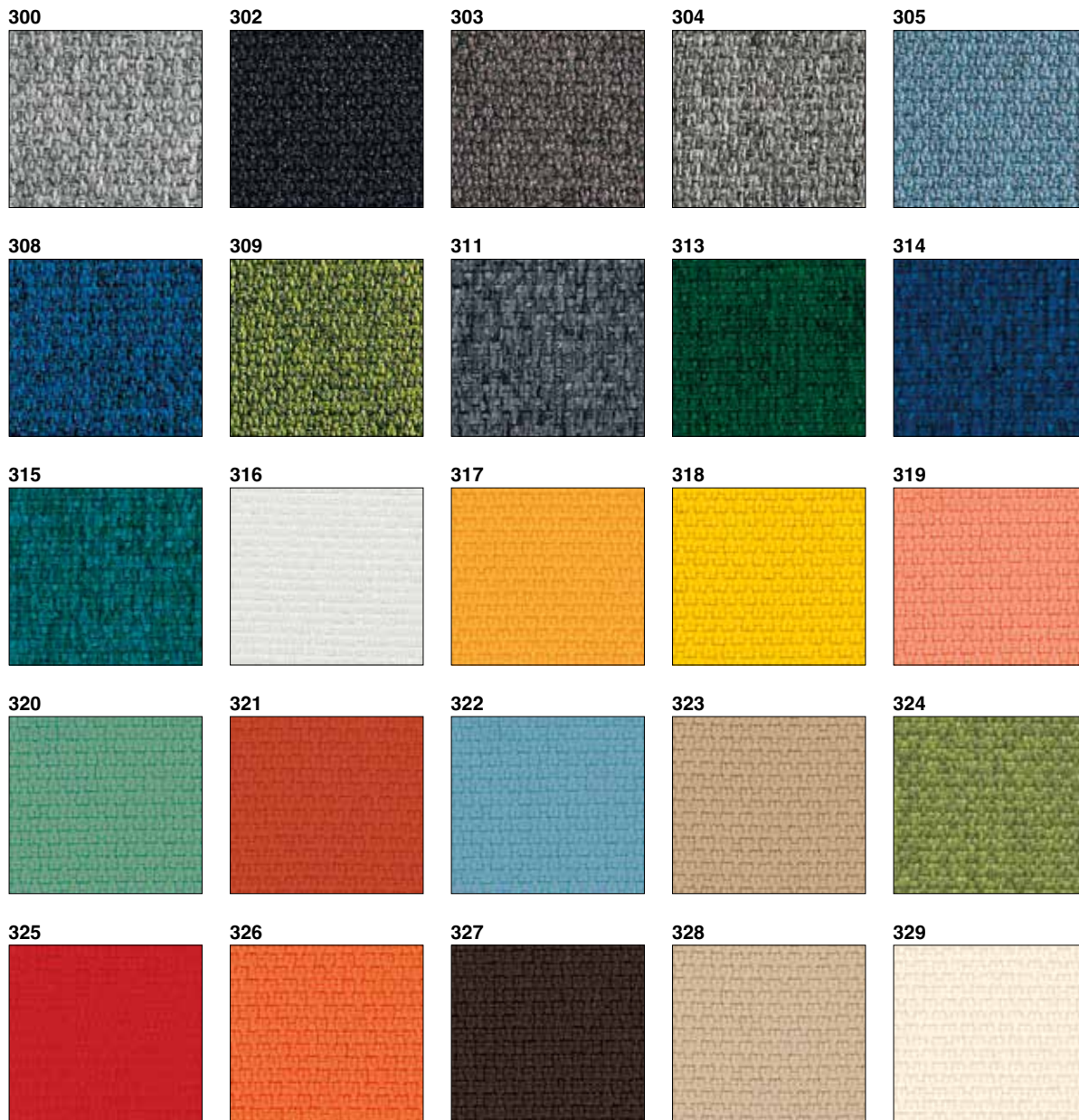
Optional shelf description:

Inclined shelf, made of 2 mm thick sheet steel epoxy powder-coated, with folded front edge, equipped with holes at the back for wall mounting (screws not included).

Dimensions:



Available colours:



Caimi Brevetti S.p.A. reserves, by its unappealable judgment, the right to modify without prior notice the building materials, the technical and aesthetic specifications, as well as the dimensions of the products in this technical sheet, where pictures are purely as an indication.